

प्रारंभिक व्यावसायिक परीक्षण रिपोर्ट  
INITIAL COMMERCIAL TEST REPORT

संख्या/No. CSIR/CMERI/FMTTC/2024/057  
माह/Month: OCTOBER, 2024

THIS TEST REPORT VALID UP TO : 30<sup>th</sup> SEPTEMBER, 2031



**SONALIKA AGRO INDUSTRIES CORPORATION  
PADDY THRESHER (MULTICROP)  
(P-572, HOPPER MODEL)**



Government Of India



कृषि मशीनरी प्रशिक्षण और परीक्षण केंद्र  
**Farm Machinery Training and Testing Centre**  
सीएसआईआर- केन्द्रीय यांत्रिक अभियांत्रिकी अनुसंधान संस्थान  
**CSIR - Central Mechanical Engineering Research Institute**  
महात्मा गांधी एवेन्यू, दुर्गापुर  
**Mahatma Gandhi Avenue, Durgapur**  
पश्चिम बंगाल - 713209  
**West Bengal - 713209**  
Website: <https://cmeri.res.in>

**E-mail:** [fmttc.cmeri@gmail.com](mailto:fmttc.cmeri@gmail.com)

Telephone: 9434592007 / 7001361295  
Fax: +91-343-2546745

CSIR/CMERI/FMTTC/2024/057

**TRACTOR OPERATED PADDY THRESHER  
P-572 (Hopper Model)  
(INITIAL COMMERCIAL TEST)**

**Name of Machine** : PADDY THRESHER (MULTICROP)  
**Type** : Tractor Operated  
**Make** : SONALIKA  
**Model** : P-572 (Hopper Model)  
**Name and address of Manufacturer** : M/s Sonalika Agro Industries Corporation  
Jalandhar Road, Hoshirapur  
Punjab- 146001  
**Name and address of Applicant** : M/s Sonalika Agro Industries Corporation  
Jalandhar Road, Hoshirapur  
Punjab- 146001  
**Test Conducted at** : Farm Machinery Training and Testing Center, CSIR  
– Central Mechanical Engineering Research Institute,  
M.G. Avenue, Durgapur- 713209, West Bengal,  
INDIA, & CMERI- Centre of Excellence for Farm  
Machinery, Near GNE College, Gill Road, Ludhiana  
- 141006, Punjab, INDIA

**THIS TEST REPORT VALID UP TO: 30<sup>th</sup> September 2031**

[vide DAC&FW OM No. 13-22/2020- M&T (I&P) dated 12.12.2023]



Report No.: CSIR/CMERI/FMTTC/2024/057

Month: October

Year: 2024

**CSIR - Central Mechanical Engineering Research Institute,  
Durgapur - 713209  
(W.B.), INDIA**

Report prepared by

Report verified by

Farm Machinery Training and Testing Centre  
CSIR-Central Mechanical Engineering Research Institute, Durgapur - 713209  
**THIS REPORT IS VALID UPTO: 30<sup>th</sup> SEPTEMBER 2031**

Page 1 of 39

**4. SPECIFICATIONS**

**4.1 General**

Name and Address of Applicant	: M/s Sonalika Agro Industries Corporation, Industrial Estate, Jalandhar Road, Hoshiarpur (Punjab)
Name of Implement	: Paddy Thresher (Multi crop)
Type	: Tractor Operated
Make	: SONALIKA
Model	: P-572 (Hopper Model)
Serial No.	: SAIC109
Year of manufacture	: 2024
Size of thresher (mm)	: 1830 x Ø 890
Recommended Power Source	: 35 HP & above

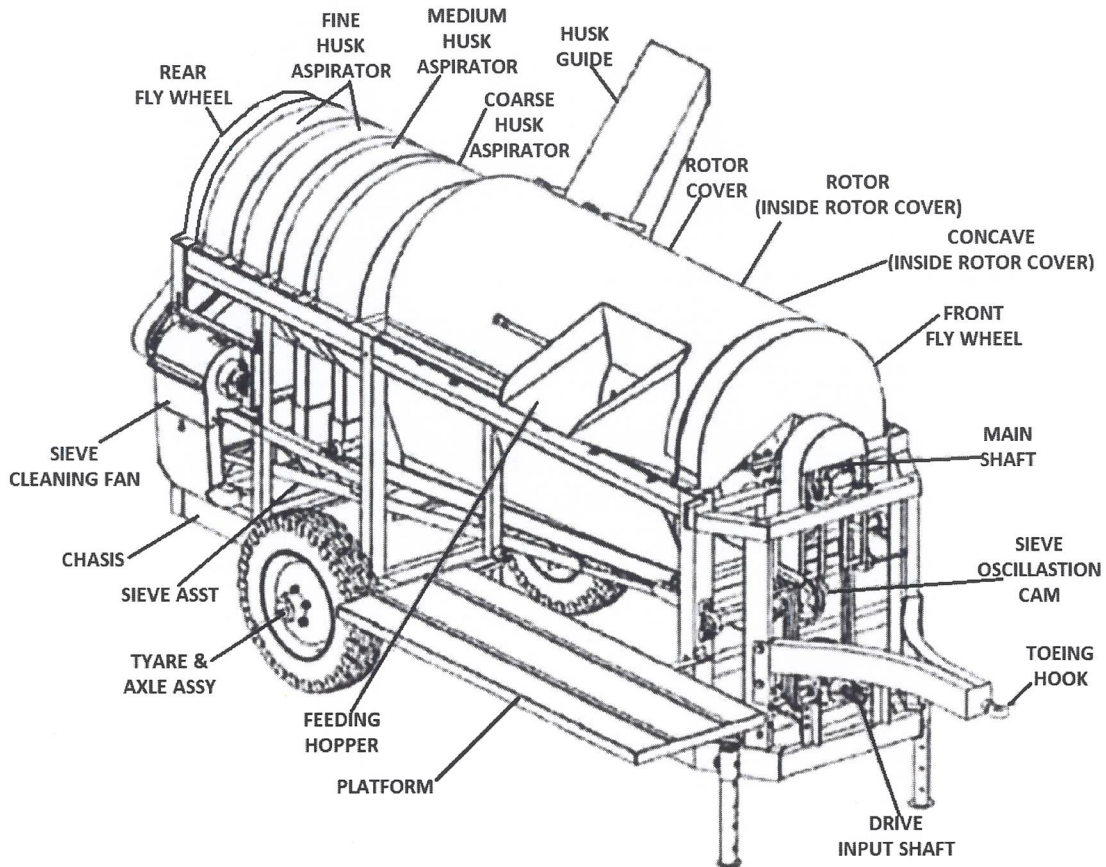


Fig. 1 Component details of Tractor Operated Multicrop Thresher

Report verified by *Subrata Kumar Mandal*  
 Report prepared by *[Signature]*

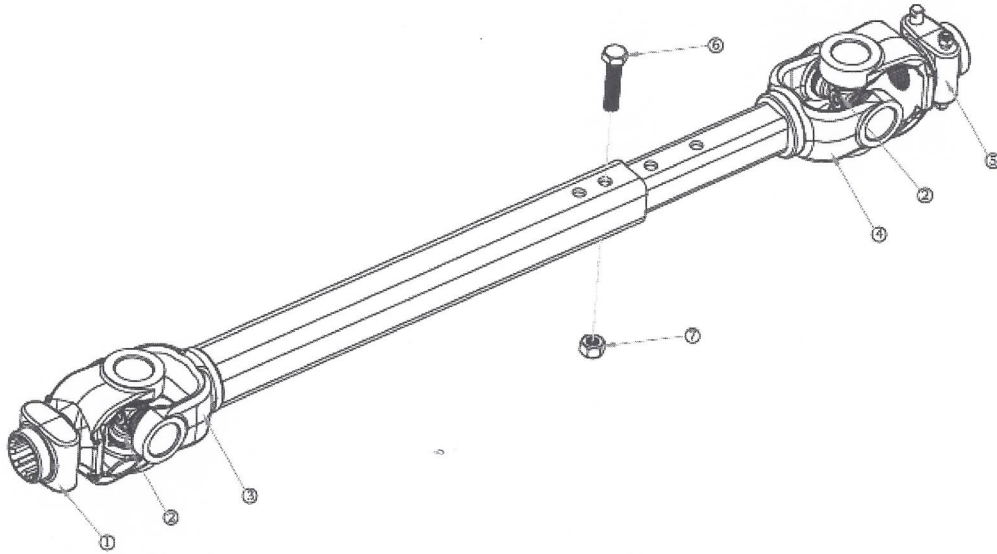


Fig. 3 PTO Drive Shaft

- |                               |                           |
|-------------------------------|---------------------------|
| 1. Yoke (6 Splines)           | 2. Cross Kit              |
| 3. Half Yoke (Female)         | 4. Half Yoke (Male)       |
| 5. Yoke (6 splines) with lock | 6. Bolt 12.7 mm X 76.2 mm |
| 7. Nut 12.7 mm                |                           |

Dimensions of PIC yoke bore. (Ref. Fig. 4)

Sl. No.	Notation	Dimensions(mm)		Conformity
		As per IS:4931-1995	As observed	
1	$\Phi D$	34.93±0.03	35	Conforms
2	$\Phi d$	29.7±0.1	29.98	Conforms
3	W	8.69+(0.02 to 0.05)	8.72	Conforms
4	B	54 (Min)	54	Conforms

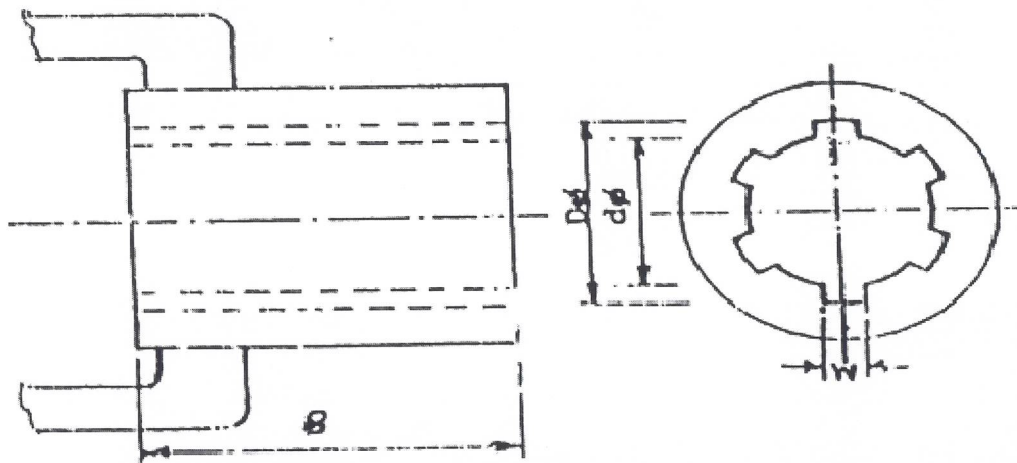


Fig. 4 Dimensions of PIC yoke bore

Report verified by  
Subrata Kumar Mandal

Report prepared by  
Subrata Kumar Mandal

**12. COMMENTS & RECOMMENDATIONS**

- 12.1 The rated input capacity is not specified by the applicant. It MUST be specified.
- 12.2 Propeller shaft guard is not provided. It MUST be provided with thresher.
- 12.3 The specification of feeding chute does not conform to IS: 9020- 2002 (Reaffirmed 012).  
This MUST be taken care in future production level for safety concern of operator must be provided.
- 12.4 The recommended grade of lubricant and lubricating schedule is not provided. It should be provided for the guidance of user for enhancing the life of machine.
- 12.5 The specification of power input connection does not conform to IS: 4931-1995. This MUST be taken care in future production level.

Report prepared by  
*[Signature]*

Report verified by  
*[Signature]*

### TESTING AUTHORITY

Report Prepared by	Senior Technical Officer CSIR-CMERI Farm Machinery Testing Centre	<i>Jeeb</i> 16/10/2024
Report Verified & Approved by	In-Charge, CSIR-CMERI Farm Machinery Testing Centre	<i>Sushanta Kumar</i> 16.10.2024
Report Approved for release by	Head, Business Development Unit, CSIR-CMERI, Durgapur	<i>Sudip Samanta</i> 16/10/24

### 13. APPLICANT'S COMMENTS

Para No.	Our Reference	Applicant's Comments
13	12.1 to 12.3	We will look into it.
	12.4	Corrective action will be taken.
	12.5	It will be taken care in future production level.

